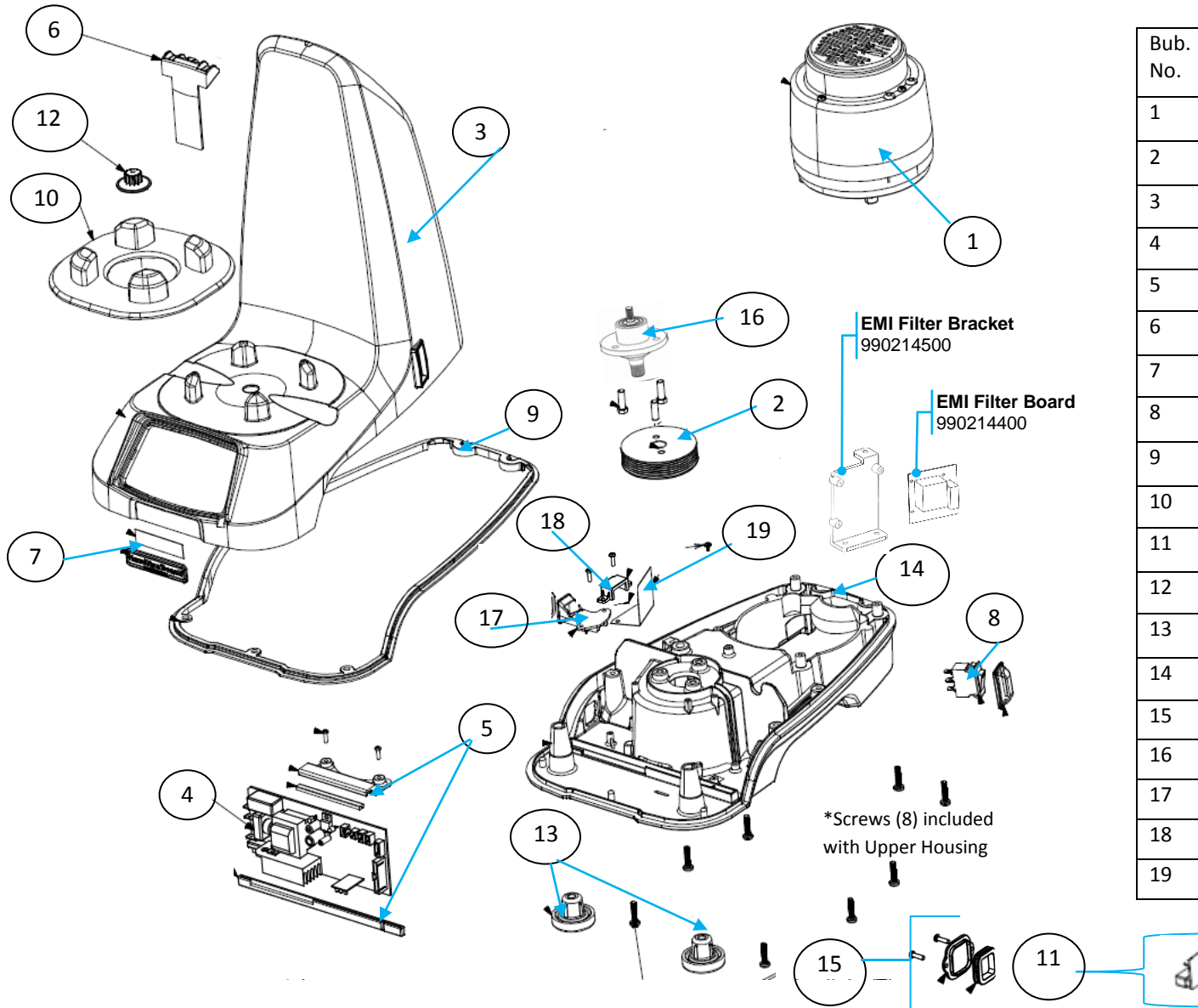



HBF1100S-CE Parts & Accessories Diagram

PROPRIETARY RIGHTS NOTICE This document and all information contained within it is the property of Hamilton Beach Brands, Inc. (HBB). It is confidential and proprietary and has been provided to you for a limited purpose. It must be returned or destroyed upon request. Disclosure, reproduction or use of this document and any information contained within it, in full or in part, for any purpose is forbidden without the prior written consent of HBB. No photographs may be taken of any article fabricated or assembled from this document without the prior written consent of HBB.

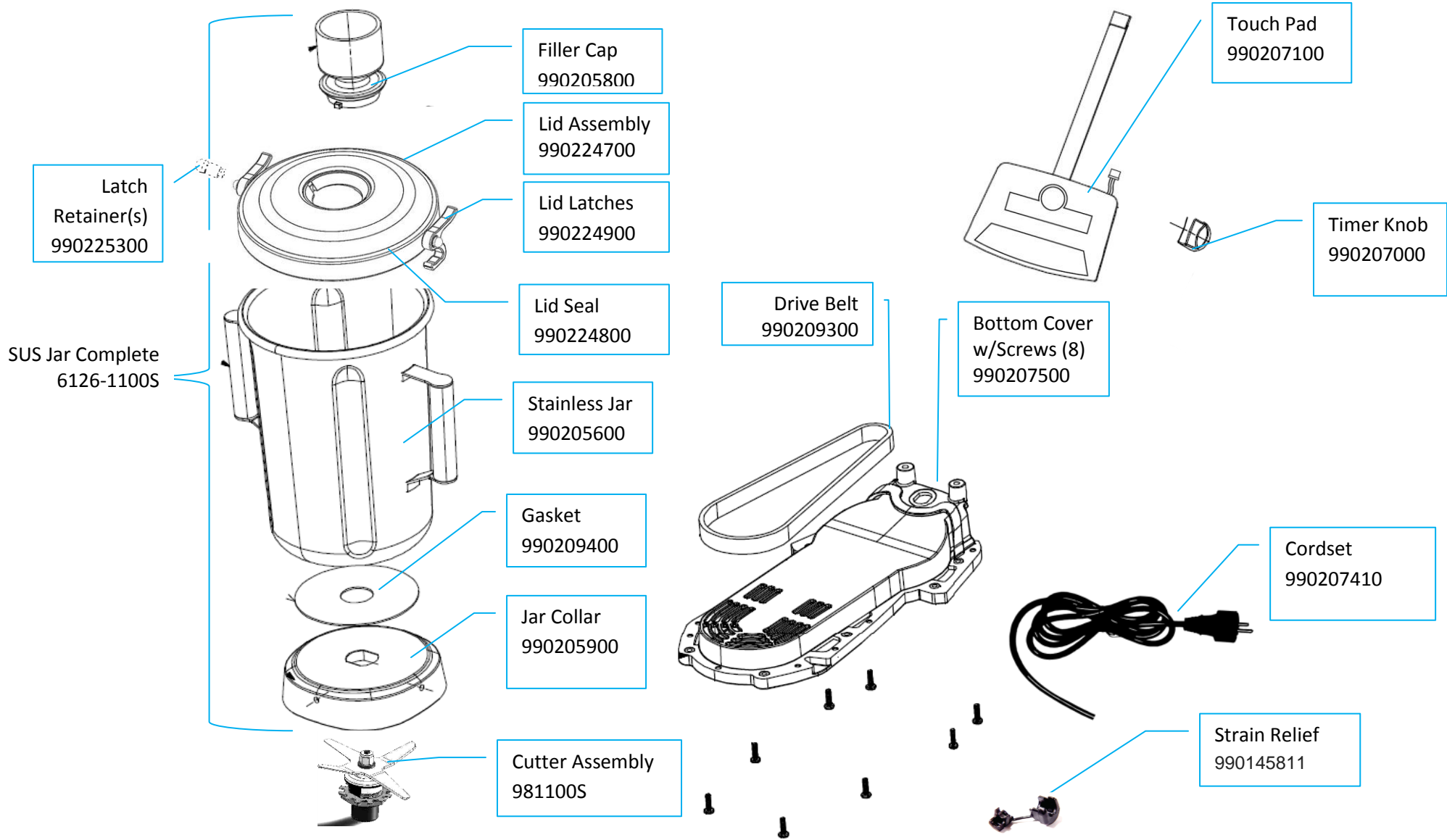



Bub. No.	Part Number	Description
1	990206001	Motor Assembly
2	990206500	Output Pulley
3	990206600	Upper Housing
4	990206201	Main PCBA
5	990206100	PCBA Mount
6	990206300	Hall Sensory Assy.
7	990092700	Commercial Badge
8	990207301	Breaker Switch
9	990206800	Upper Housing Seal
10	990206700	Jar Pad
11	990127200	Memory Card Board
12	990147700	Drive Coupling
13	990207600	Foot (2)
14	990206900	Lower Housing
15	990207200	Memory Card Cover
16	990206400	Output Assembly
17	990209500	Memory Card Support
18	990209600	Bracket
19	990209700	Card Insulation

 4421 Waterfront Drive Glen Allen, VA 23060	Revision Description:	Show new breaker switch CARE part number.				
	Request Number:	DOC7460	Revision Date:	02/08/2017	Approved by:	DOC7460
	Issue Code(s):		Page:	1 of 2	Document #:	540012700
					Rev:	D

HBF1100S-CE Parts & Accessories Diagram

PROPRIETARY RIGHTS NOTICE This document and all information contained within it is the property of Hamilton Beach Brands, Inc. (HBB). It is confidential and proprietary and has been provided to you for a limited purpose. It must be returned or destroyed upon request. Disclosure, reproduction or use of this document and any information contained within it, in full or in part, for any purpose is forbidden without the prior written consent of HBB. No photographs may be taken of any article fabricated or assembled from this document without the prior written consent of HBB.



 4421 Waterfront Drive Glen Allen, VA 23060	Revision Description:	Show new breaker switch CARE part number.				
	Request Number:	DOC7460	Revision Date:	02/08/2017	Approved by:	DOC7460
	Issue Code(s):		Page:	2 of 2	Document #:	540012700
				Rev:	D	